

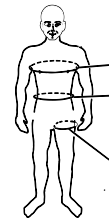


**MACC**  
ORDER FORM – version no.2 EN

# MACC

DEALER: \_\_\_\_\_  
 CUSTOMER Name: \_\_\_\_\_  
 Phone.: \_\_\_\_\_  
 E-mail: \_\_\_\_\_  
 Country: \_\_\_\_\_

**BODY PROPORTIONS:**  
 MALE     FEMALE  
 Height: \_\_\_\_\_ (cm)  
 Weight : \_\_\_\_\_ (kg)  
 Chest: \_\_\_\_\_ (cm)  
 Waist: \_\_\_\_\_ (cm)  
 Thigh: \_\_\_\_\_ (cm)



**PATTERN WHERE AND HOW TO MEASURE BODY PROPORTIONS:**

chest  
waist  
thigh

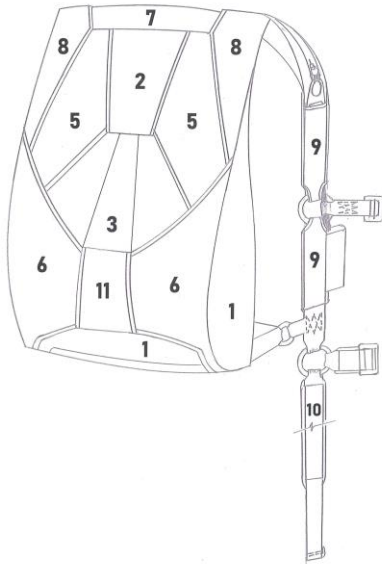
Measure the height of the body barefoot.

In standard with magnetic cover flaps and with the stainless steel hardware.  
 Harness PS – 055 with rings – by chest and haunches.

The stainless steel hardware contains: the hardware of the complete harness incl. brake rings, parts at the risers to the main parachute  
 - 3 Ring Release System „MINI RING“ (diam. 33 mm).

**SIZE OF CONTAINER:** \_\_\_\_\_

**Main canopy** (size, type): \_\_\_\_\_ **Reserve canopy** (size, type): \_\_\_\_\_

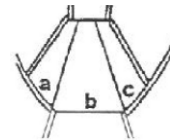


4 – Back Pad, 10 – Leg Pads

**COLORS:**  
Refer to diagram

1. \_\_\_\_\_
2. \_\_\_\_\_
4. \_\_\_\_\_
5. \_\_\_\_\_
6. \_\_\_\_\_
7. \_\_\_\_\_
8. \_\_\_\_\_
9. \_\_\_\_\_
10. \_\_\_\_\_
11. \_\_\_\_\_

**COLORS**  
**CENTER FLAP STRIPES (NO. 3)**



- a. \_\_\_\_\_
- b. \_\_\_\_\_
- c. \_\_\_\_\_

**FABRIC OF CONTAINER: CORDURA**

(COLORS No.)

602 – Yellow	608 – Dark Blue
603 – Red	609 – Green
604 – Light Blue	610 – White
606 – Black	611 – Light Grey
607 – Dark Grey	620 – Orange

**COLOR OF HARNESS**

(COLORS No.)

346 – Yellow	369 – Grey
344 – Red	370 – Black
342 – Light Blue	341 – Dark Blue

**COLORS OF TRIM:**

(COLORS No.)

10 – White	36 – Dark Blue
20 – Orange	37 – Light Blue
31 – Light Yellow	39 – Green
32 – Darkly Yellow	40 – Green (khaki)
33 – Red	41 – Grey
34 – Violet	43 – Black

Note: Please contact your dealer for show card of colors.



**Note: Adjustment for AAD m2 is in the standard.**  
**EACH AAD DISPLAY IS IN TO BACK PAD.**

**CONTAINER READY FOR:**

CYPRES       VIGIL

RSL

**3 RING RELEASE SYSTEM**

Soft handle „U-079“, CORDURA FABRIC

(COLORS NO)

602 – Yellow	608 – Dark Blue
603 – Red	609 – Green
604 – Light Blue	610 – White
606 – Black	611 – Light Grey
607 – Dark Grey	620 – Orange

**RESERVE HANDLE:**

Soft handle „U-064“, CORDURA FABRIC

(COLORS NO)

602 – Yellow	608 – Dark Blue
603 – Red	609 – Green
604 – Light Blue	610 – White
606 – Black	611 – Light Grey
607 – Dark Grey	620 – Orange

**RESERVE PILOT CHUTE:**

PV – 028

PV – 055

Color of Pilot Chute: \_\_\_\_\_

**MAIN PILOT CHUTE:**

PV – 026 (Ø 900 mm)

PV – 033 (Ø 800 mm)

Color of Pilot Chute: \_\_\_\_\_

**MAIN PARACHUTE RISERS. 3 Ring Release System „MINI RING“ (diam. 33 mm), for Steering toggle pins, stainless steel:**

Color: \_\_\_\_\_

VK-33/350/K-D

RSL

VK-33/400/K-D

VK-33/500/K-D



**MACC**  
ORDER FORM – version no.2 EN

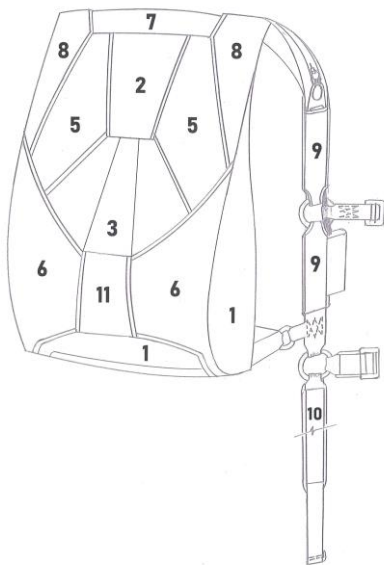
# MACC

The position drawing

Embroidery MACC

# MACC

Embroidery of the logo „MarS“



Embroidery MarS  
**MarS**

**Right side of the container – Position no. 1**

1. Embroidery „MACC“ color of embroidery „MACC“ is always in dark grey color.
2. Without embroidery

**Left side of the container – Position no. 1**

1. Embroidery „MACC“ color of embroidery „MACC“ is always in dark grey color.
2. Personal embroidery – at extra cost .....
3. Without embroidery

**Embroidery placed according to the container picture, Position no. 9 right**

1. Personal embroidery – at extra cost .....
2. Without embroidery

**Embroidery placed according to the container picture, Position no. 9 left**

1. Embroidery „MarS“ color of embroidery MarS .....
2. Personal embroidery – at extra cost .....
3. Without embroidery

**RESERVE HANDLE „U-064“**

1. Embroidery „MarS“ color of embroidery .....
2. Personal embroidery – at extra cost .....
3. Without embroidery

**3 RING RELEASE SYSTEM - HANDLE „U-079“**

1. Embroidery „MarS“ color of embroidery .....
2. Personal embroidery – at extra cost .....
3. Without embroidery

**Note for your personal embroidery:**

Please specify color (Text and Thread) .....

**SPECIAL REQUEST:**

Date .....

Signature .....