



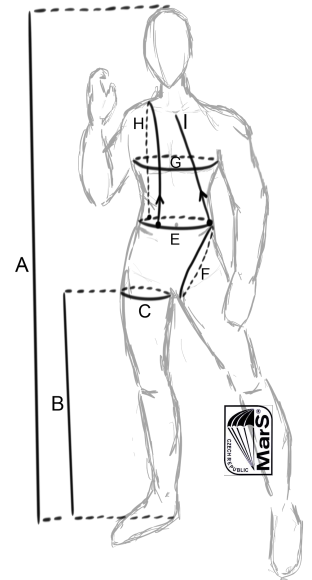
ORDER FORM - MACC 2022

Mark the selected field with an X

DEALER			
Customer			
Phone			
Email			
Country			
male	<input type="checkbox"/>	female	<input type="checkbox"/>

BODY PROPORTIONS (cm. kg):

Height (A)	
Weight	
Chest (G)	
Waist (E)	
Thigh (C)	
Thigh circumference diagonally (F)	
Top of the hip bone up to shoulder (H)	
Top of hip bone to hole of neck (I)	
Dimension from ground to crotch (B)	



A) CONFIGURATION H/C:

Container size	
----------------	--

Main canopy (size, type):

Produce	
---------	--

--

Reserve canopy (size, type):

Produce	
---------	--

--

In standard with magnetic cover flaps and with the stainless steel hardware

Harness PS-055 with rings - by chest and haunches.

The stainless steel hardware contains: the hardware of the complete harness incl. brake rings, parts at the risters to the main parachute- 3 Rings Release System "MINI RINGS" (diam. 33 mm).

4. RESERVE PILOT CHUTE:

PV-028	
PV - 055 (+ 98 EUR)	

Color of pilot chute	
----------------------	--

1.CONTAINER READY FOR:

Each AAD display is in to back pad.

M2	<input type="checkbox"/>	VIGIL	<input type="checkbox"/>
CYPRES	<input type="checkbox"/>		

2. RESERVE HANDLE (soft handle) U-064:

602 – Yellow	608 – Dark Blue	
603 – Red	609 – Green	
604 – Light Blue	610 – White	
606 – Black	611 – Light Grey	
607 – Dark Grey	620 – Orange	

Metal handle	<input type="checkbox"/>
--------------	--------------------------

3. 3 RING RELEASE SYSTEM (soft handle) U-079:

602 – Yellow	608 – Dark Blue	
603 – Red	609 – Green	
604 – Light Blue	610 – White	
606 – Black	611 – Light Grey	
607 – Dark Grey	620 – Orange	

5. MAIN PILOT CHUTE (hold – plastic tube):

PV – 026 (Ø 900 mm)	
PV – 033 (Ø 800 mm) - (+ 53 EUR)	

Color of pilot chute	
----------------------	--

6. MAIN PARACHUTE RISERS:

VK-33/350/K-D (350 mm)	
VK-33/400/K-D (400 mm)	
VK-33/500/K-D (500 mm)	

Color of main risers	
----------------------	--

RSL (AOZP)	
RAX (+ 70 EUR)	

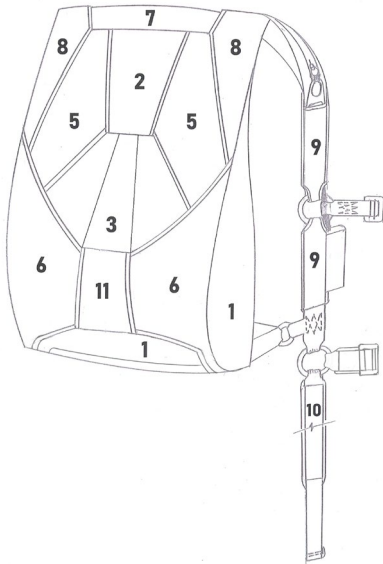
7. BAG (+ 109 EUR):

YES	<input type="checkbox"/>
NO	<input type="checkbox"/>

8. METAL HOOK KNIFE (+ 26,50 EUR):

YES	<input type="checkbox"/>
NO	<input type="checkbox"/>

B) COLOR OF CONTAINER:



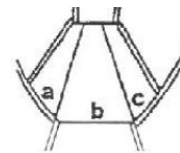
4 – Back Pad, 10 – Leg Pads

1. COLORS:

1.	
2.	
3.	to see table / point number 3
4.	
5.	
6.	
7.	
8.	
9.	
10.	
11.	
12.	

COLORS CENTER FLAP STRIPES (NO. 3)

a)	
b)	
c)	



2. FABRIC COLORS OF CONTAINER:

602 – Yellow	608 – Dark Blue
603 – Red	609 – Green
604 – Light Blue	610 – White
606 – Black	611 – Light Grey
607 – Dark Grey	620 – Orange

3. COLORS OF TRIM:

10 – White	36 – Dark Blue	
20 – Orange	37 – Light Blue	
31 – Light Yellow	39 – Green	
32 – Dark Yellow	40 – Green (khaki)	
33 – Red	41 – Grey	
34 – Violet	43 – Black	

4. COLOR OF HARNESS:

346 – Yellow	369 – Grey	
344 – Red	370 – Black	
342 – Light Blue	341 – Dark Blue	

5. LEG PADS COVER:

YES		NO	
-----	--	----	--

Left leg pad (color)	
Right leg pad (color)	

Visit our instagram for inspiration on the color combination of the container MACC

Use our COLORING program to create your own color combination of the container MACC

C) EMBROIDERY:

Embroidery MACC



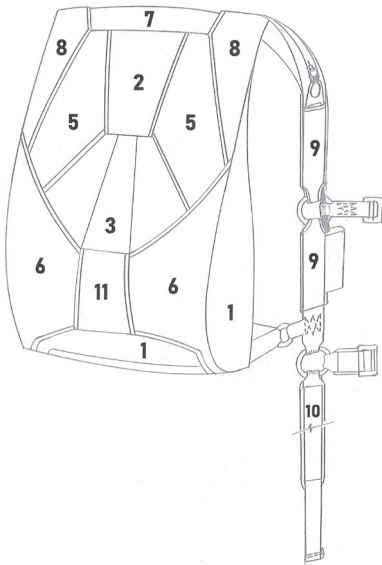
Embroidery m2



Embroidery MarS



Embroidery MarS



1. Right side of the container – position no. 1

It is always with embroidery "MACC" embroidery "MACC" is by default done in gray.

<input type="checkbox"/>	Embroidery "MACC" color	
--------------------------	-------------------------	--

2. Left side of the container – position no. 1

<input type="checkbox"/>	Embroidery "MACC", color	
--------------------------	--------------------------	--

<input type="checkbox"/>	Embroidery MarS, color	
--------------------------	------------------------	--

<input type="checkbox"/>	Embroidery m2, color	
--------------------------	----------------------	--

<input type="checkbox"/>	Personal embroidery – extra cost	
--------------------------	----------------------------------	--

<input type="checkbox"/>	Without embroidery	
--------------------------	--------------------	--

3. Embroidery places according to the container picture – position no. 9 right

<input type="checkbox"/>	Personal embroidery – extra cost	
--------------------------	----------------------------------	--

<input type="checkbox"/>	Without embroidery	
--------------------------	--------------------	--

4. Embroidery places according to the container picture – position no. 9 left

<input type="checkbox"/>	Embroidery MarS, color	
--------------------------	------------------------	--

<input type="checkbox"/>	Personal embroidery – extra cost	
--------------------------	----------------------------------	--

<input type="checkbox"/>	Without embroidery	
--------------------------	--------------------	--

5. 3 RING RELEASE SYSTEM - HANDLE „U-079“

<input type="checkbox"/>	Embroidery MarS, color	
--------------------------	------------------------	--

<input type="checkbox"/>	Personal embroidery – extra cost	
--------------------------	----------------------------------	--

<input type="checkbox"/>	Without embroidery	
--------------------------	--------------------	--

6. RESERVE HANDLE „U-064“

<input type="checkbox"/>	Embroidery MarS, color	
--------------------------	------------------------	--

<input type="checkbox"/>	Personal embroidery – extra cost	
--------------------------	----------------------------------	--

<input type="checkbox"/>	Without embroidery	
--------------------------	--------------------	--

Note for your personal embroidery:

<input type="checkbox"/>	Please specify color (Text and Thread)	
--------------------------	--	--

D) SPECIAL REQUEST: